

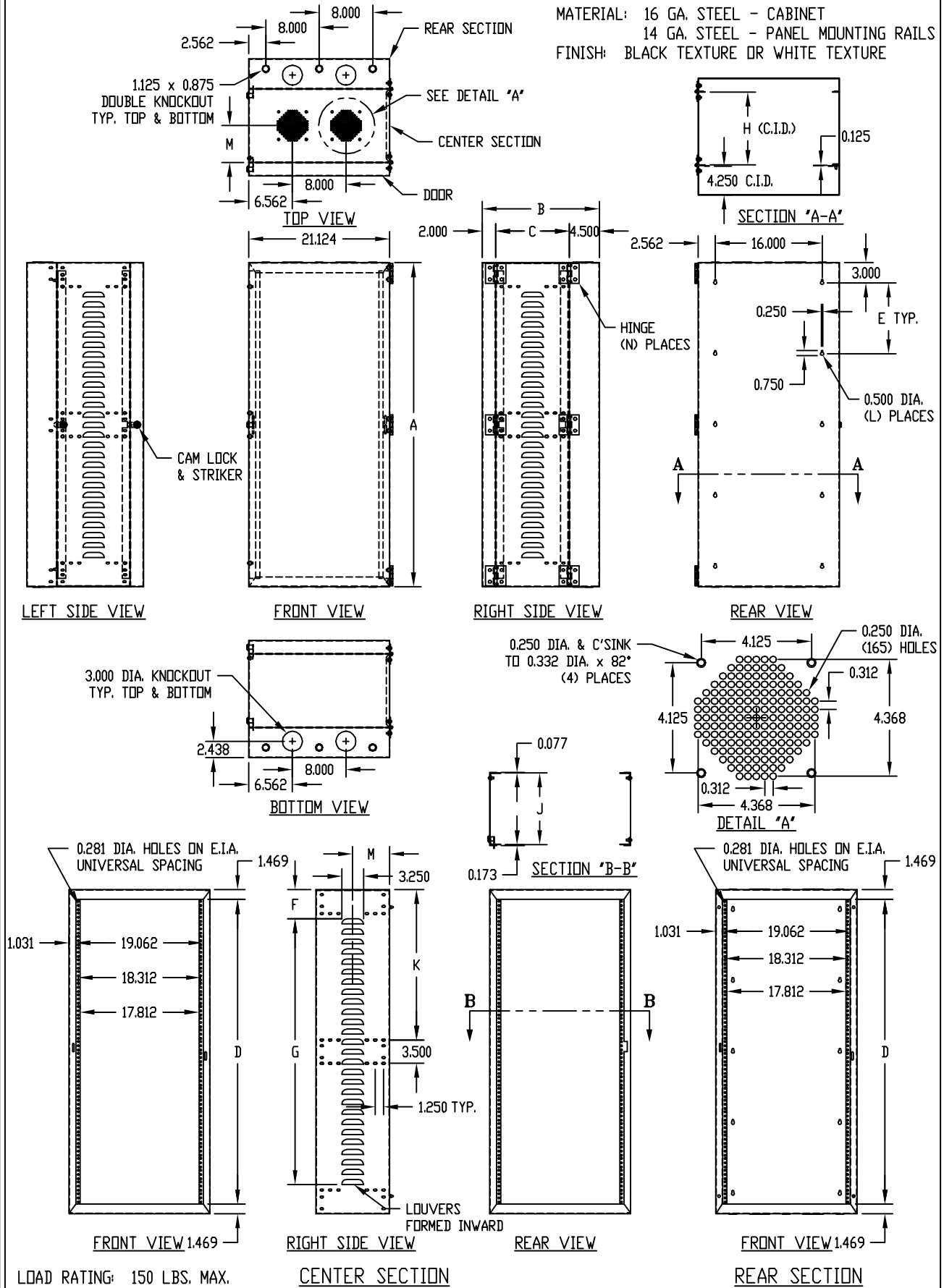
PART NAME

WALLMOUNT CABINET (3-SECTION)

PART No.

WM-5412, WM-5414, WM-5422 & WM-5424

MATERIAL: 16 GA. STEEL - CABINET
 14 GA. STEEL - PANEL MOUNTING RAILS
 FINISH: BLACK TEXTURE OR WHITE TEXTURE



LOAD RATING: 150 LBS. MAX.

PART No.	A	B	C	D	E	F	G	H	J	K	L	M	N
WM-5412	24.000	17.500	11.000	21.062	9.000	4.125	15.750	10.875	10.750	-----	6	5.500	4
WM-5414	48.500	17.500	11.000	45.562	10.625	4.375	39.750	10.875	10.750	22.500	10	8.000	6
WM-5422	24.000	22.500	16.000	21.062	9.000	4.125	15.750	15.875	15.750	-----	6	5.500	4
WM-5424	48.500	22.500	16.000	45.562	10.625	4.375	39.750	15.875	15.750	22.500	10	8.000	6